

**KURZWEIL®**

**KaP1**

# **ST-C1 STAND**

Assembly Guide

**HDC** YOUNG CHANG  
MUSIC

# Assembly Instructions

## What's Included



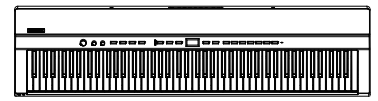
Stand Legs Bolts (A) X16



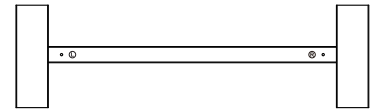
Piano Bolts (B) X2



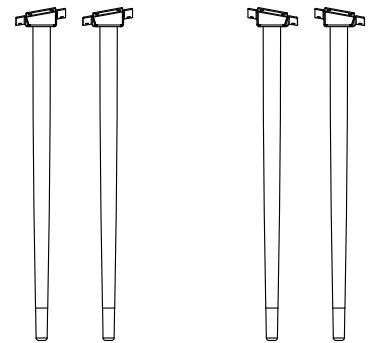
Rubber Pad (C) X7



Piano



Support Bracket



Legs (4)

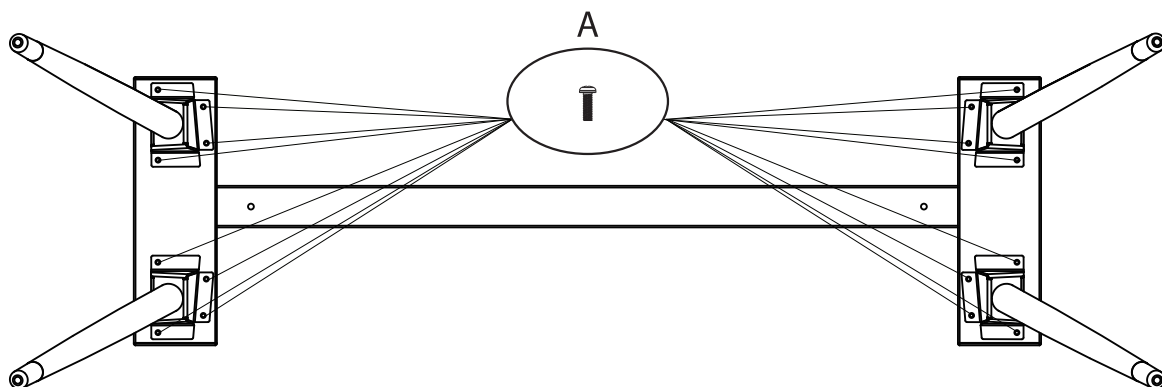
## Attaching the Stand Legs to the Support Bracket

Begin assembling the piano by attaching the Support Bracket to the Stand Legs.

Step 1: Take out a Stand Leg and align it with the screw holes on the Support Bracket.

Step 2: Use four stand leg bolts (A) to attach the Stand Leg to the Support Bracket.

Step 3: Repeat the steps above to install the other three Stand Legs.

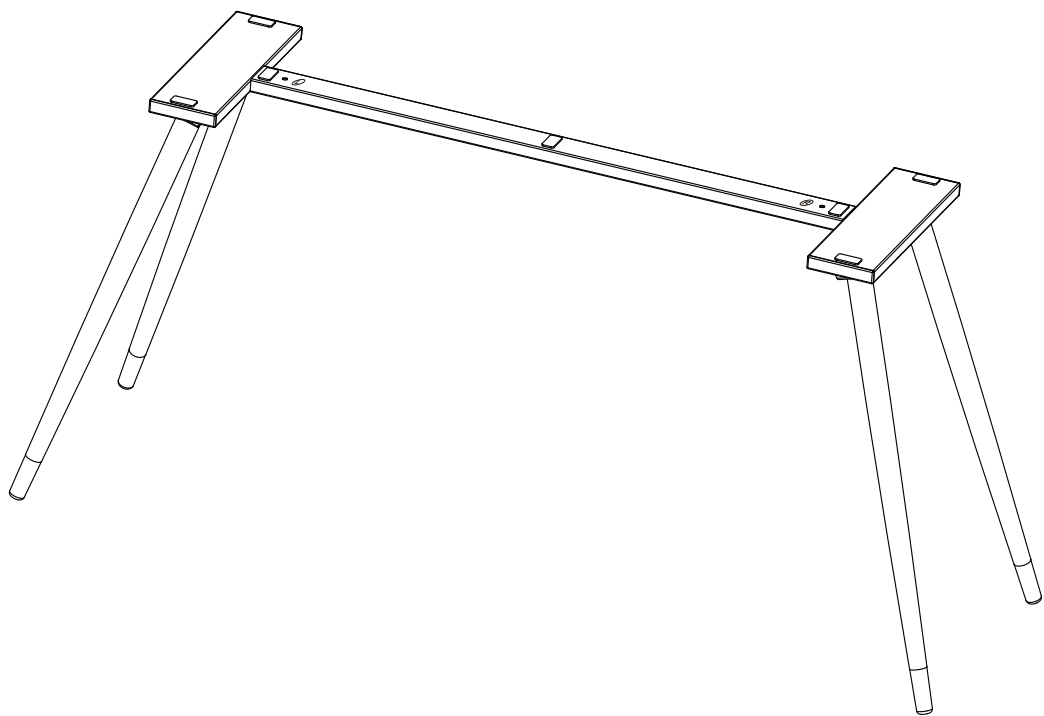
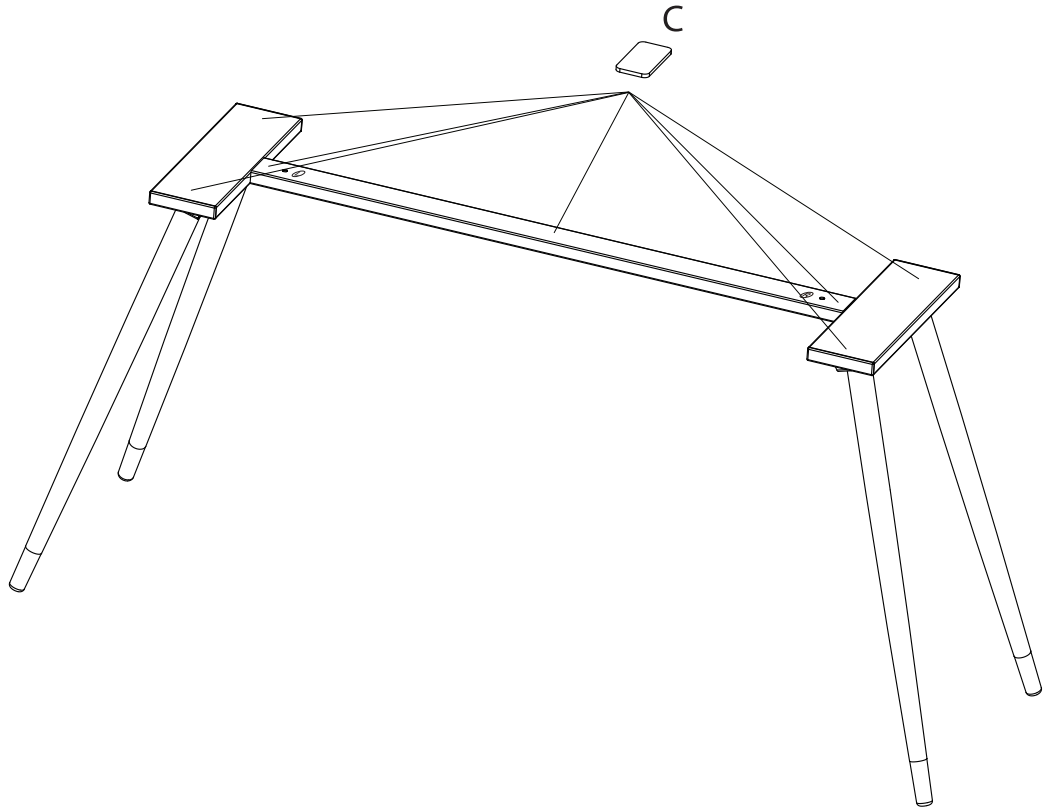


Note: The plastic bag of each Stand Leg was marked with directional stickers, 2 stickers labeled L and 2 stickers labeled R, please pay attention to the distinction when installing the Stand Legs.

# Assembly Instructions

## Attach Rubber Pads to the Piano Stand

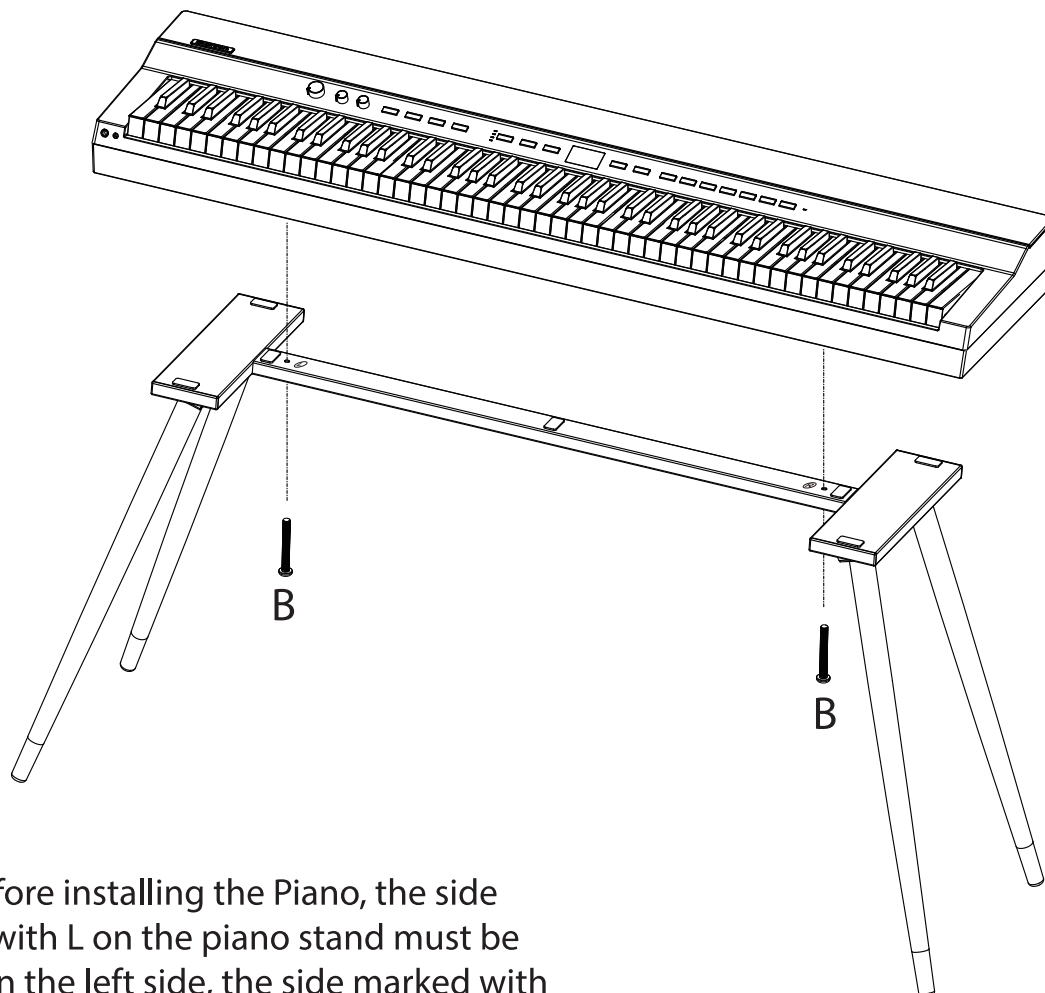
Attach seven Rubber Pads (C) to the Piano Stand as shown.



# Assembly Instructions

## Attach the Piano to the Piano Stand

Lift the piano onto its stand and align the holes on the Support Bracket with the holes on bottom of the piano. Insert the two piano bolts (B) from the Support Bracket, into each hole to attach the piano to its stand as shown.



Note: Before installing the Piano, the side marked with L on the piano stand must be placed on the left side, the side marked with R on the piano stand must be placed on the right side, so that the piano can be installed smoothly.

