

KURZWEIL®

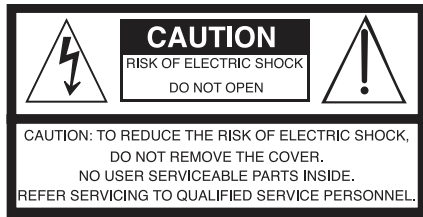
CUP | E1

USER'S

MANUAL

English Manual

HDC YOUNG CHANG



The lightning flash with the arrowhead symbol, within an equilateral triangle is intended to alert the user to the presence of uninsulated "dangerous voltage" within the product's enclosure that may be of sufficient magnitude to constitute a risk of electric shock to persons.



The exclamation point within an equilateral triangle is intended to alert the user to the presence of important operating and maintenance (servicing) instructions in the literature accompanying the product.

IMPORTANT SAFETY & INSTALLATION INSTRUCTIONS

INSTRUCTIONS PERTAINING TO THE RISK OF FIRE ELECTRIC SHOCK , OR INJURY TO PERSONS

WARNING: When using electric products, basic precautions should always be followed, including the following:

1. Read all the Safety and Installation Instructions and Explanation of Graphic Symbols before using the product.
2. This product must be grounded. If it should malfunction or break down, grounding provides a path of least resistance for electric current to reduce the risk of electric shock. This product is equipped with a power supply cord having an equipment-grounding conductor and a grounding plug. The plug must be plugged into an appropriate outlet which is properly installed and grounded in accordance with all local codes and ordinances.
DANGER: Improper connection of the equipment-grounding conductor can result in a risk of electric shock. Do not modify the plug provided with the product – if it will not fit the outlet, have a proper outlet installed by a qualified electrician. Do not use an adaptor which defeats the function of the equipment-grounding conductor. If you are in doubt as to whether the product is properly grounded, check with a qualified serviceman or electrician.
3. Do not use this product near water for example, near a bathtub, washbowl, kitchen sink, in a wet basement, or near a swimming pool, or the like.
4. This product should only be used with a stand or cart that is recommended by the manufacturer.
5. This product, either alone or in combination with an amplifier and speakers or headphones, may be capable of producing sound levels that could cause permanent hearing loss. Do not operate for a long period of time at a high volume level or a level that is uncomfortable. If you experience any hearing loss or ringing in the ears, you should consult an audiologist.
6. This product should be located so that its location or position does not interfere with its proper ventilation.
7. The product should be located away from heat sources such as radiators, heat registers, or other products that produce heat.

8. The product should be connected to a power supply only of the type described in the operating instructions or as marked on the product.
9. This product may be equipped with a polarized line plug (one blade wider than the other). This is a safety feature. If you are unable to insert the plug into the outlet, contact an electrician to replace your obsolete outlet. Do not defeat the safety purpose of the plug.
10. The power supply cord of the product should be unplugged from the outlet when left unused for a long period of time. When unplugging the power supply cord, do not pull on the cord, but grasp it by the plug.
11. Care should be taken so that objects do not fall and liquids are not spilled into the enclosure through openings.
12. The product should be serviced by qualified service personnel when:
 - A. The power supply cord or the plug has been damaged;
 - B. Objects have fallen, or liquid has been spilled into the product;
 - C. The product has been exposed to rain;
 - D. The product does not appear to be operating normally or exhibits a marked change in performance;
 - E. The product has been dropped, or the enclosure damaged.
13. Do not attempt to service the product beyond that described in the user maintenance instructions. All other servicing should be referred to qualified service personnel.
14. **WARNING:** Do not place objects on the product's power supply cord, or place the product in a position where anyone could trip over, walk on, or roll anything over cords of any type. Do not allow the product to rest on or be installed over cords of any type. Improper installations of this type create the possibility of a fire hazard and/or personal injury.

RADIO AND TELEVISION INTERFERENCE

WARNING: Changes or modifications to the instrument not expressly approved by Young Chang could void your authority to operate the instrument.

IMPORTANT: When connecting this product to accessories and/or other equipment use only high quality shielded cables.

NOTE: This instrument has been tested and found to comply with the limits for a Class B digital device, pursuant to Part 15 of the FCC Rules. These limits are designed to provide reasonable protection against harmful interference in a residential installation. This instrument generates, uses, and can radiate radio frequency energy and, if not installed and used in accordance with the instructions, may cause harmful interference to radio communications. However, there is no guarantee that interference will not occur in a particular installation. If this instrument does cause harmful interference to radio or television reception, which can be determined by turning the instrument off and on, the user is encouraged to try to correct the interference by one or more of the following measures:

- Reorient or relocate the receiving antenna.
- Increase the separation between the instrument and the receiver.
- Connect the instrument into an outlet on a circuit other than the one to which the receiver is connected.
- If necessary consult your dealer or an experienced radio/television technician for additional suggestions.

The normal function of this product may be disturbed by strong electro magnetic interference. If so, simply reset the product to resume normal operation by following the instruction manual. In case the function could not resume, please use the product in another location.

NOTICE

This apparatus does not exceed the Class B limits for radio noise emissions from digital apparatus set out in the Radio Interference Regulations of the Canadian Department of Communications.

AVIS

Le présent appareil numérique n'émet pas de bruits radioélectriques dépassant les limites applicables aux appareils numériques de la class B prescrites dans le Règlement sur le brouillage radioélectrique édicté par le ministère des Communications du Canada.

SAVE THESE INSTRUCTIONS

IMPORTANT SAFETY INSTRUCTIONS

1. Read these instructions.
2. Keep these instructions.
3. Heed all warnings.
4. Follow all instructions.
5. Do not use this apparatus near water.
6. Clean only with dry cloth.
7. When cleaning the top panel of the product, be sure to clean it with the power turned off as it may cause an error in operation.
8. Do not block any of the ventilation openings. Install in accordance with the manufacturer's instructions.
9. Do not install near any heat sources such as radiators, heat registers, stoves, or other apparatus (including amplifiers) that produce heat.
10. Do not defeat the safety purpose of the polarized or grounding-type plug. A polarized plug has two blades with one wider than the other. A grounding type plug has two blades and a third grounding prong. The wide blade or the third prong are provided for your safety. If the provided plug does not fit into your outlet, consult an electrician for replacement of the obsolete outlet.
11. Protect the power cord from being walked on or pinched, particularly at plugs, convenience receptacles, and the point where they exit from the apparatus.
12. Only use attachments/accessories specified by the manufacturer.
13. Use only with a cart, stand, tripod, bracket, or table specified by the manufacturer, or sold with the apparatus. When a cart is used, use caution when moving the cart/apparatus combination to avoid injury from tip-over.
14. Unplug this apparatus during lightning storms or when unused for long periods of time.
15. Refer all servicing to qualified service personnel. Servicing is required when the apparatus has been damaged in any way, such as power-supply cord or plug is damaged, liquid has been spilled or objects have fallen into the apparatus, the apparatus has been exposed to rain or moisture, does not operate normally, or has been dropped.
16. Allow adequate ventilation for the power adapter. Do not hide it under a carpet or behind a curtain or place it in an enclosed space where heat buildup can occur.



WARNING: To reduce the risk of fire or electric shock, do not expose this apparatus to rain or moisture.

Do not expose this equipment to dripping or splashing and ensure that no objects filled with liquids, such as vases, are placed on the equipment.

To completely disconnect this equipment from the AC Mains, disconnect the power supply cord plug from the AC receptacle.

Kurzweil International Contacts

Contact the appropriate Kurzweil office listed below to locate your local Kurzweil representative.

US Customers:

Artesia-Pro Inc.
P.O. Box 2908
La Mesa, CA 91943

Phone: 619/244-0006
Email: support@artesia-pro.com

www.artesia-pro.com

Customers Outside the US:

HDC Young Chang Co., LTD.

South Korea
Tel: +82 32 570 1000

www.hdc-youngchang.com



<http://kurzweil.com>



www.facebook.com/kurzweilhome/



www.instagram.com/KurzweilMusic



www.threads.net/kurzweilmusic



www.twitter.com/KurzweilMusic



www.youtube.com/user/KurzweilTutorials

Chapter 1 Introduction 7
 Key Features 7

Chapter 2 Getting Started 8
 Setting Up the CUP E1 8
 – Box Contents 8
 – Plugging in the Power 8
 – Volume Adjustment 9

Chapter 3 CUP E1 Overview 10
 Control Panel 10
 – POWER/STANDBY 10
 – VOLUME 10
 – DEMO 10
 – METRONOME 10
 – LAYER 10
 – SPLIT 10
 – REVERB 10
 – CHORUS 11
 – FUNCTION 11
 – TEMPO / [-], [+] 11
 – VOICE 11
 – DUO 11
 – RECORD 11
 – PLAY/STOP 11
 – TRACK1, TRACK 2 11
 – EDU 11

I/O Ports 12
 – PEDALS (3 Pedals) 12
 – USB 13
 – AUX IN 13
 – LINE OUT 13
 – PHONES 13

Chapter 4 CUP E1 Details 14
 – Power 14
 – Volume Adjustment 14
 – Demo Songs 14
 – Metronome 15
 – Layer Mode 15
 – Split Mode 16
 – Reverb 17
 – Chorus 17
 – Settings 18
 – Metronome 18
 – Touch Sensitivity 18
 – Tune 18
 – Transpose 19
 – Local On/Off 19
 – EQ Bass 19
 – EQ Treble 19
 – Song Grading 19
 – Bluetooth MIDI/Audio 19
 – Factory Reset 19
 – Tempo 20
 – Voice 20
 – Duo Mode 20
 – Recording and Playback (2 Track Recorder) ... 21
 – Edu Mode 21

Chapter 5 Appendix
 A. MIDI(Implementation Chart) 22
 B. (Assembly Instructions) 23

Specifications 27

Thank you for purchasing the KURZWEIL CUP E1.

You are certain to enjoy many hours exploring the CUP E1's features as well as its beautiful sounds.

This manual explains how to make the most of your CUP E1.

Key Features

- 88 Fully-Weighted Hammer Action Keys (H1 Ivory)
- 256 Note Polyphony
- 16 Preset Voices
- USB MIDI and USB Audio
- MIDI, Stereo, Audio In/Out ports

Setting up the CUP E1

Box Contents

The components provided when purchasing CUP E1 are as follows.

- CUP E1
- DC Power Adapter and AC Power Cord
- Warranty Card
- Bench

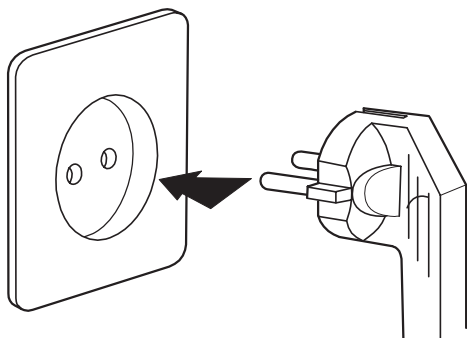
If you are missing any of the above, please contact your KURZWEIL dealer.

Plugging in the Power

The CUP E1's power is supplied by a DC power adapter.

Connect the power adapter to the DC jack on the rear panel of the CUP E1.

Then connect the power cord to an AC outlet.



※ The shape of this plug differs depending on locality.

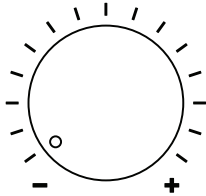
Press the power button at the rear panel to turn the power on.

When powered on, the front panel lights up.



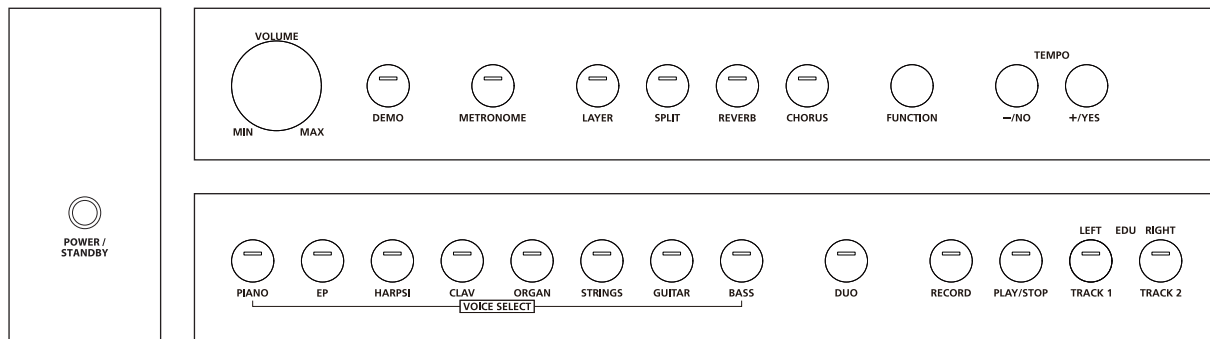
CAUTION : Please use the supplied DC power adapter. (12V, 2A center-tip positive)
Using the wrong DC Power adapter may cause damage to the product.
If the adapter is damaged or lost, please contact your KURZWEIL dealer.

Volume Adjustment



Before turning on the CUP E1, please set the volume to its minimum value (all the way to the left). For a generally comfortable level of volume while playing, set the knob to its middle position.

Control Panel



POWER/STANDBY

Turns the CUP E1 on or off.

VOLUME

Adjusts the master volume.

DEMO

Plays a demo song.

METRONOME

Activates/deactivates the Metronome.

LAYER

Combines two different voices across the keyboard, allowing you to play both voices as one.

SPLIT

Splits the keyboard into two regions, allowing you to play a different voice in each hand.

REVERB

Turns on/off the reverb effect.

CHORUS

Turns on/off the chorus effect.

FUNCTION

Used to change various global functions of the CUP E1.

TEMPO / [-], [+]

Used to alter the values of menu parameters such as tempo, preset voices, etc.

VOICE

Select preset voices.

DUO

Divides the keyboard into two identical sections to support two different players, performing in tandem.

RECORD

Controls the recording of user songs.

PLAY/STOP

Controls the playback of factory demos and the metronome.

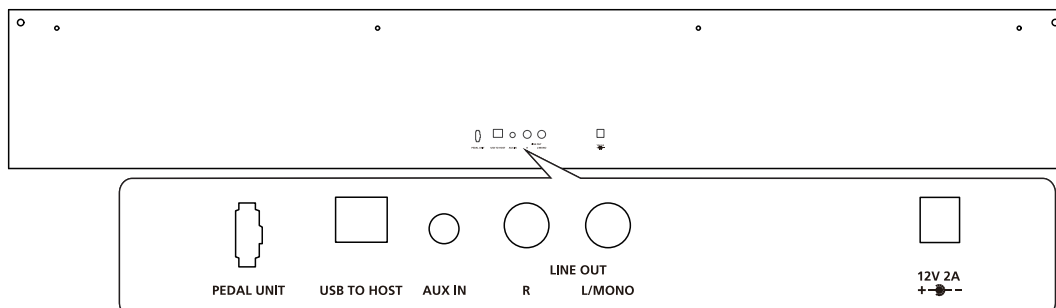
TRACK 1, TRACK2

Selects a desired track while recording user songs.

EDU

Enters Edu mode by pressing the left and right buttons simultaneously.

I/O Ports

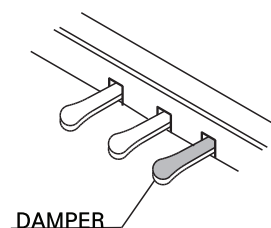


Pedals (3 Pedals)

The CUP E1's 3 pedals work like an acoustic piano.

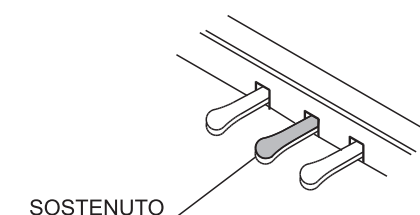
Damper (Right)

The Damper pedal applies a sustain effect to each note, much like the damper pedal on an acoustic piano.



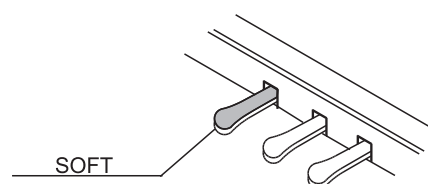
Sostenuto (Center)

The sostenuto pedal also provides sustain for the note being played. However, it works a little differently than the damper pedal: if you press the sostenuto pedal while playing a specific note or chord, that note will have sustain applied to it. As long as you hold down the sostenuto pedal, the note will remain sustained and notes played after the pedal is pressed will not have the sustain effect.



Soft (Left)

The soft pedal on an acoustic piano changes the character of the sound, making it softer and quieter. The soft pedal on your piano does exactly the same. Press the soft pedal when you need to play passages that require extreme pianissimo.



USB

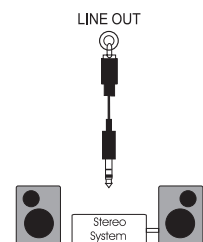
Connects to a PC, tablet or other devices to make use of the USB MIDI/ AUDIO functions. As such, the CUP E1 can serve as a USB audio card, MIDI controller and/or MIDI sound module. (USB MIDI/ Audio function is supported on Windows/ MacOS. An adapter cable may be required for connecting to a tablet PC.)

AUX IN

Receives an external audio signal through 1/8"(3.5mm) cable and sends it to CUP E1's speakers.

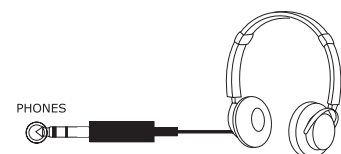
LINE OUT

For connecting to an external powered speaker, mixer or audio interface using cables.



PHONES

The CUP E1 has two 1/4" headphone jacks. Plugging in headphones mutes the internal speakers, providing privacy during practice.

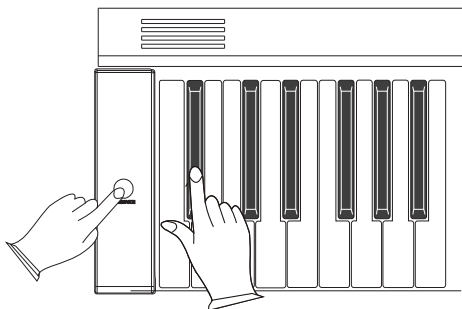


POWER/STANDBY

Press the [POWER/STANDBY] button to turn the power on. When powered on, the LED lights up. When powered on, the LED lights up and the Auto Power function is enabled to conserve energy.

The CUP E1 will automatically turn off after 30 minutes of inactivity.

Pressing the [POWER/STANDBY] button while pressing A0 and A#0 turns the Auto Power function off. When the Auto Power function is off, you will note the status on screen.



VOLUME Adjustment

Adjusts the master volume of the CUP E1.

DEMO Songs

The CUP E1 includes 8 built-in demonstration songs.

Press the [DEMO] button to enter Demo mode. A Demo song is automatically played and you will note the song number on screen.

Use the [-][+] or [VOICE] buttons to select different demo songs.

To stop the playback of demo songs, press the [DEMO] button again.

METRONOME

Press the [METRONOME] button to activate the metronome.

The current tempo is shown on screen (default: 120 BPM). To change the tempo, use the [-][+] buttons (20~280 BPM). Press the [-] [+] buttons simultaneously to return to the default value.

Changing Time Signature

To change the time signature of the metronome, press and hold the [METRONOME] button for 2 seconds. The current time signature is shown on screen (default: 4/4). To change the time signature of the metronome, use the [-], [+] buttons.

(1/4, 2/2, 2/4, 3/4, 4/4, 5/4, 6/4, 6/8, 7/8, 9/8, 12/8)

LAYER Mode

Layer mode allows you to combine and play two different programs at the same time across the same keys.

To activate Layer mode, select the first voice and press the [LAYER] button. When Layer mode is activated, the [LAYER] button will light and the selected voice will be blinking.

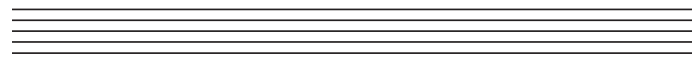
To change the voice, use the [-] [+] buttons. You will note the selected voice's name and number on screen

Press and hold the [LAYER] button to adjust layer's volume level.

To change the volume level, use [-], [+] buttons.

- To adjust the layer's volume level, press and hold the [LAYER] button for 2 seconds. Then use the [-][+] buttons to change the value.

Press the [LAYER] button again to exit Layer mode.



SPLIT Mode

Split mode allows you to play two different programs on the keyboard, one in your left hand and another in your right.

Split mode allows you to play two different programs on the keyboard, one in your left hand and another in your right.

Setting Volume

To change the volume of the split voice, press and hold the [SPLIT] button for 2 seconds, then use [-], [+] buttons to adjust the level.

- The mode automatically change back to Voice mode after 5 seconds of inactivity.

Setting Split point

Press and hold the [SPLIT] button for 2 seconds then strike the desired piano key to set the split point. You will note the status on screen.

Press the [SPLIT] button again to exit Split mode.

REVERB

Press the [REVERB] button to turn on/off the reverb effect. It will light when enabled.

Use the [-], [+] buttons to select between 8 different reverb types.

01	02	03	04	05	06	07	08
Hall1	Hall2	Room1	Room2	Room3	Stage1	Stage2	Plate

- To adjust the reverb level, press and hold the [REVERB] button for 2 seconds. "RevVol" will appear on screen and you can adjust the amount by pressing the [-], [+] buttons.
If you don't use the – or + buttons for a few seconds, the display will revert back to the Reverb selection screen.
To disable the reverb, press the [REVERB] button again.

CHORUS

Press the [CHORUS] button to turn on/off the chorus effect. It will light when enabled.

Use the [-][+] buttons to select between 8 different chorus types.

01	02	03	04	05	06	07	08
Chorus1	Chorus2	Chorus3	Feedback	Flanger1	ShortDelay	ShortDelayFb	Flanger2

- To adjust the chorus level, press and hold the [CHORUS] button for 2 seconds. "ChorVol" will appear on screen and you can adjust the amount by pressing the [-], [+] buttons.
If you don't use the – or + buttons for a few seconds, the display will revert back to the Chorus selection screen.
To disable the chorus, press the [CHORUS] button again.

FUNCTION

The Function menu houses various global settings of the CUP E1.

Press the [FUNCTION] button to enter Function mode. Referring to the table below, repeatedly press the [FUNCTION] button to advance through the list of settings and select the desired function.

Use the the [+], [-] buttons to adjust the value of the selected function.

Function	LCD Display	Range	Default
Metronome Volume	MetroVo? 01	00-127	100
Touch	Touch? 02	00-03	02
Tune	Tune? 03	-64-63	00
Transpose	Transpo? 04	-12-12	00
Local	Local? 05	On/Off	On
EQ Bass	EQ Bass? 06	-12-12	00
EQ Treble	EQ Trebe? 07	-12-12	00
Song Grading	Grading? 08	On/Off	On
Bluetooth	Bluetot? 09	On/Off	Off
Rest	Rest? 10	Resting	

Metronome Volume

Use the [-][+] buttons to change the volume level of the metronome (0~127).

Touch

Touch sensitivity affects the dynamic level while playing. Use the [-], [+] buttons to change the touch sensitivity of the CUP E1 (0: Fixed, 1: Soft, 2: Normal (default), 3: Hard).

Tune

Use the [-] [+] buttons to adjust the fine tuning of the CUP E1 (-/+ 100ct).

Transpose

Use the [-] [+] buttons to adjust the fine tuning of the CUP E1 (-/+ 100ct).

LOCAL On/Off

When working with a DAW, this switch should be set to Off. Doing so severs the CUP E1's ability to play itself internally (locally) and it will only transmit/receive data via MIDI.

EQ BASS

Use the [-], [+] buttons to adjust the level of bass (range: -/+12).

EQ TREBLE

Use the [-], [+] buttons to adjust the level of treble (range: -/+12).

Song Grading

This switch enables or disables grading in Edu mode.

Bluetooth

Use the [-], [+] buttons to enable or disable the Bluetooth function.

Reset

Restores the CUP E1 to its factory default settings. To perform a reset, select Reset and press the [YES] button. CUP E1 will be automatically restarted.

TEMPO / [-], [+]

To change the voice, setting items, parameters, and/or the speed of the metronome, use [-], [+] buttons.

VOICE Mode

The CUP E1 includes 16 preset voices. To select a different voice, use the [-], [+] and/or category buttons.

CATEGORY NAME	VOICE	
PIANO	1 (1)	2 (9)
E.P	1 (2)	2 (10)
HARPSI	1 (3)	2 (11)
CLAV	1 (4)	2 (12)
ORGAN	1 (5)	2 (13)
STRINGS	1 (6)	2 (14)
GUITAR	1 (7)	2 (15)
BASS	1 (8)	2 (16)

DUO Mode

Press the [DUO] button to enter Duo mode. Duo mode splits the keyboard into two identical sections (defined below), supporting duets as well as teacher/student instruction.

Left: A0 – C4 / Right: C#4 – C8

When Duo Piano mode is activated, the leftmost and rightmost pedals act as the sustain pedal for each player respectfully. The left pedal is assigned to the left side of the keyboard and the right pedal is assigned to the right side of the keyboard.

To exit Duo mode, press the [DUO] button again.

RECORD

The CUP E1 includes a built-in 2 track recorder.

To start recording to Track 1, Press the [RECORD] button and the [TRACK 1] button at the same time.

Recording will start as soon as you play a key. The [Track 1] button blinks while recording.

To stop recording, press the [RECORD] button again. To listen to the recorded song, press the [PLAY] button. The [PLAY] button blinks while playback.

To start recording to Track 2, Press the [RECORD] button and the [TRACK 2] button at the same time. Recording will start as soon as you play a key. The song recorded on Track 1 will be played. The [Track 2] button blinks while recording.

To stop recording, press the [RECORD] button again. To listen to the recorded songs, press the [PLAY] button. The [PLAY] button blinks while playback.

To delete recorded songs, press the [RECORD] and the [PLAY] buttons simultaneously.

EDU Mode

Use the [-], [+] buttons to select a different song.

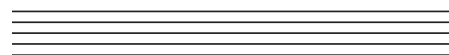
To enter Edu mode, press the [LEFT] and the [RIGHT] button simultaneously.
To play Étude No.1, press the [PLAY] button. Both buttons blink while playing.
Use the [-], [+] buttons to select a different song. Press the [PLAY] button to start the selected Étude.

Left and Right Hand Practice:

To mute the right hand part, press the [RIGHT] button.
Press the [PLAY] button to start the left hand part of the Etude.

To mute the left hand part, press the [LEFT] button.
Press the [PLAY] button to start the right hand part of the Etude.

Press the [LEFT] and the [RIGHT] buttons simultaneously to exit Edu mode.



Functions		Transmitted	Recognized	Remarks
Basic Channels	Default Changed	1-16 1-16	1-16 1-16	*Up to 3 channels simultaneously
Mode	Deraura Messages Altered	Mode 3 Yes *****	Mode 3 No No	
Note Number	True voice	0-127 *****	0-127	
Velocity Notes	Note ON Note OFF	Yes Yes	Yes Yes	
After Touch	Key's Channels	No No	No No	
Pitch Bend		No	No	
Control Change		0-127	0.1,5,6,7,10,11,4 32,64,65,66,67,4 80,81,91,93,100,8 101,121	
Program Change	True #	0-127 *****	0-15	16
System Exclusive		Yes*	Yes*	*The controller will recognize and respond to GM Device inquiries. Master Tune supported. Master Volume supported.
System Common	Song Position Pointe Song Select Tune Request	No No No	No No No	
System RealTime	Clock Commands	No No	No No	
Aux Messages	All Sounds Off* Reset All Controllers Local ON/OFF* ALL Notes OFF Active Sensing System Reset	Yes Yes Yes Yes No No	Yes Yes Yes Yes Yes Yes	* The controller will responds to GM, but not piano voices,
Notes				

MIDI Channel Modes		
	POLY OFF	MONO ON
OMNI ON	Mode 1	Mode 3
OMNI OFF	Mode 2	Mode 4

Assembly Parts



A. Bolt for cabinet connection x 2



B. Bolt for back panel connection (upper) x 2



C. Bolt for back panel connection (lower) x 4



D. Bolt for pedal box connection x 4

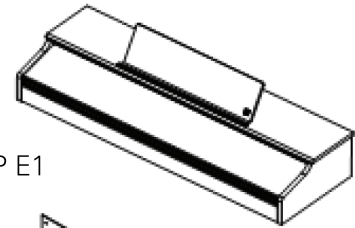


E. Bolt for headphone rack x 4

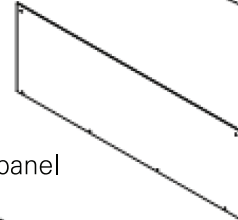
Headphone rack



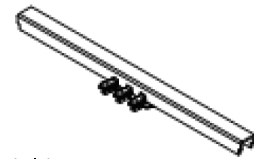
Leg x 2



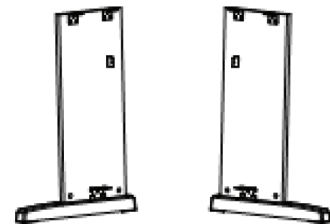
CUP E1



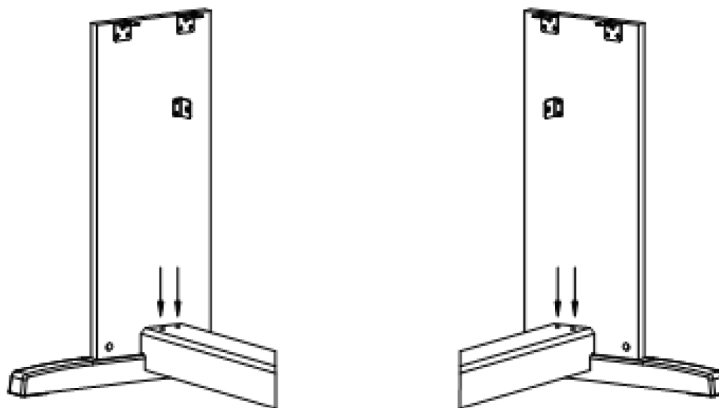
Back panel



Pedal box

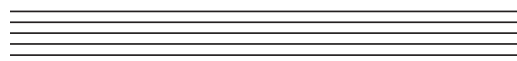


1. Assembling the Pedal box

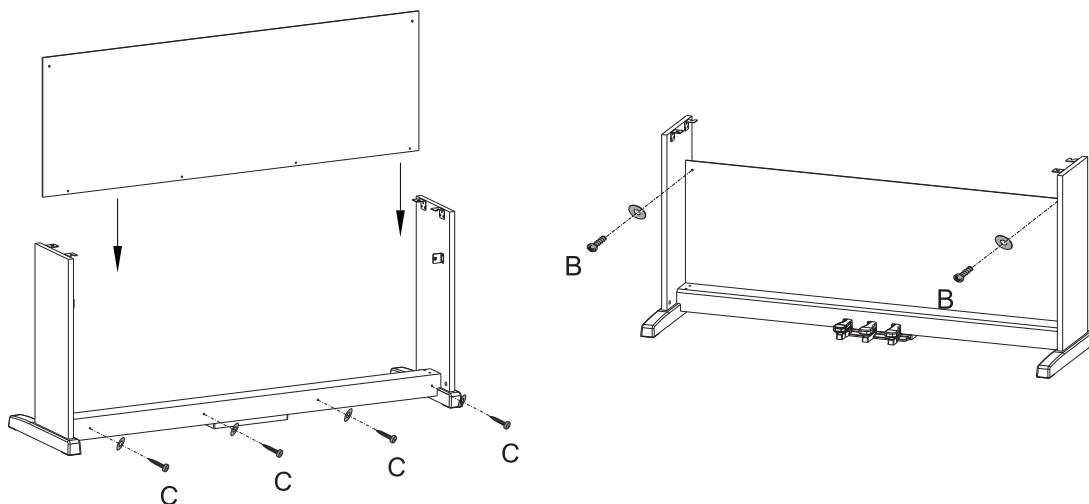


As shown in the picture above, make sure that the pedal is positioned in the direction in front of the player and place the pedal box in the center of the CUP E1. Place the brackets on the lower left and right legs into the left and right sides of the pedal box.

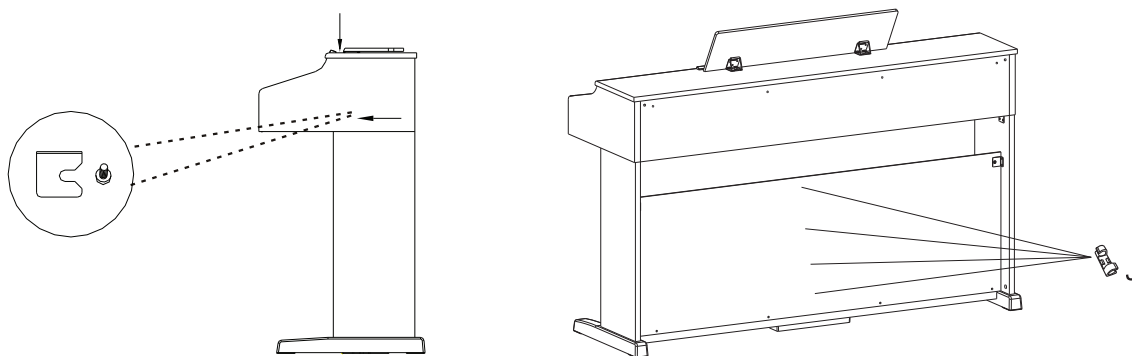
When viewed from above, check that the holes for pedal box assembly and the holes in the bracket attached to the leg match each other, and then assemble using the bolts (D).



2. Assembling the back panel and CUP E1



There are 6 holes for assembly in the back panel. Assemble the bracket attached to the middle of the both legs and the upper left and right side of the back panel using the bolts (B). And check that the 4 holes on the back of the pedal box and the 4 holes on the bottom of the back panel match each other, and then assemble using the bolts (C).

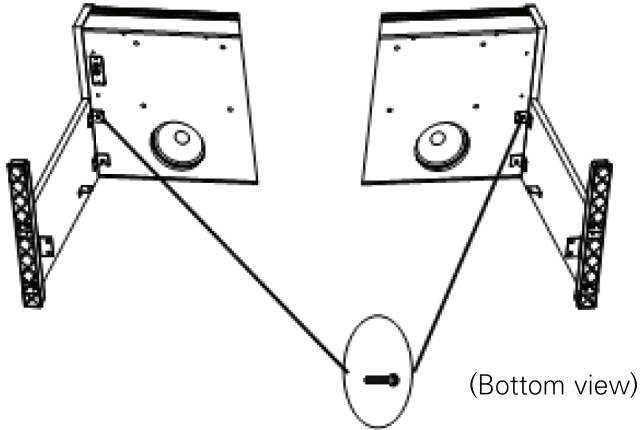


Place the CUP E1 on the stand and slightly push it forward

Organize the pedal box cables and secure them to the back board.

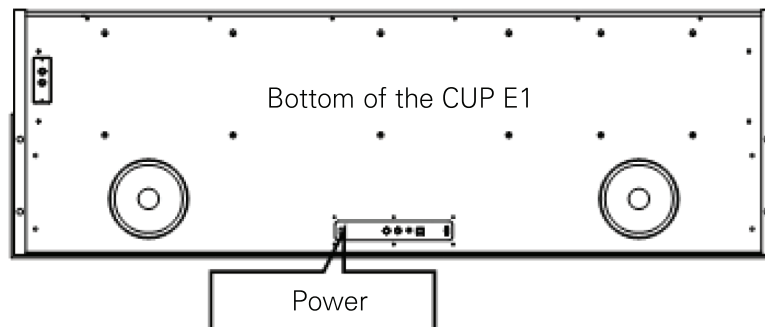
With the help of another person, lift the CUP E1 onto the stand and push it slightly forward. Insert the guide bar on the bottom of the piano into the slot on the stand leg as shown in the picture above. Be careful not to get your hands or fingers caught when lifting the CUP E1 onto the stand.

3. Assembling CUP E1

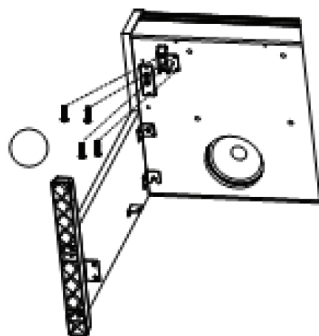


Use the bolts (A) to secure the bottom of the piano to the stand.

4. Connecting the cables

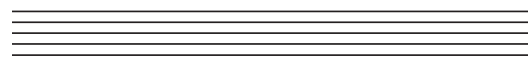


Connect the included adapter to the power connector on the bottom of the CUP E1. Also, connect the cable at the bottom of the pedal box to the pedal connector on the bottom of the CUP E1.






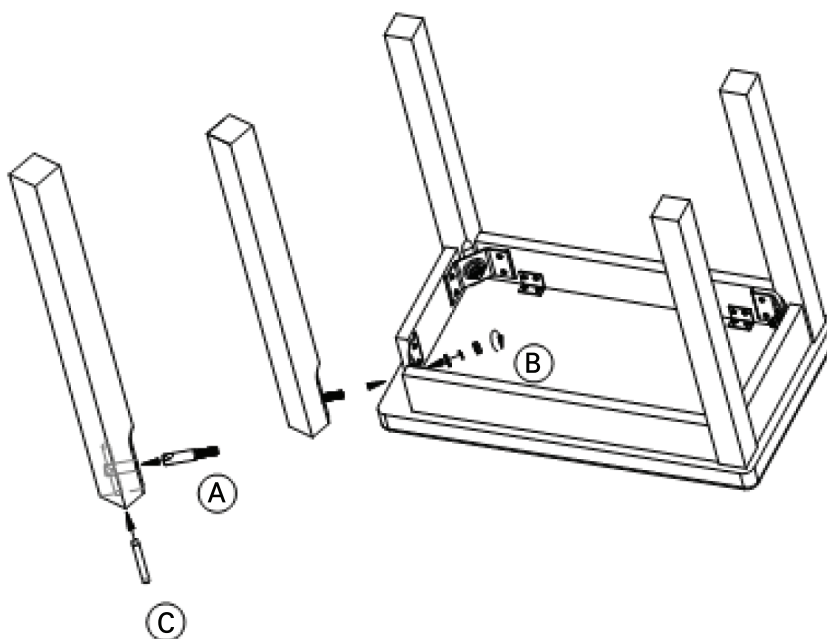
5. Assembling the headphone rack

Use the bolts (E) to assemble the headphone rack.



6. Assembling the chair

- A  x 4
- B  x 4
- C  x 4



Specifications

Keys	88 Fully-Weighted Hammer Action Keys (H1 Ivory)
Polyphony	128
Voices	16 Preset Voices
Recording	2 Track 2 Song
Transpose	+/- 12ST
Tune	+/- 100ct
Metronome	On/Off, Volume level, Time Signature
Effects	Reverb, Chorus, EQ (Bass, Treble)
Demo	8
USB	16 Channel, USB MIDI and USB Audio
Bluetooth	BT 5.2 MIDI & Audio
Display	LCD
Line I/O	1/4" Stereo Connector x 1 (Left and Right), 1/8" Aux In x 1
Headphone Output	1/4" Stereo Connector x 2
Pedals	Soft, Sostenuto, Sustain (switch/half damper pedal)
Amp	20W x 2
Speaker	(2) Stereo Sound System
Included Accessories	DC Power adapter, Chair, Headphone rack, Warranty Card, QR manual
Size	H 33.3" (84.5 cm) x D 17.4" (44.1 cm) x L 54.5" (138.5 cm)
Weight	109.3 lb (49.58 kg)
Power	DC Power adapter : 12V 2A

KURZWEIL



<http://kurzweil.com>



www.facebook.com/kurzweilhome/



www.instagram.com/KurzweilMusic



www.threads.net/kurzweilmusic



www.twitter.com/KurzweilMusic



www.youtube.com/user/KurzweilTutorials

HDC YOUNG CHANG