

KURZWEIL®

Air MIDI

USER'S MANUAL

English Manual

HDC YOUNG CHANG

Contents

IMPORTANT INFORMATION	5
WARNING	5
COPYRIGHT	5
SAFETY INFORMATION	6
CONNECTION	7
Add Air MIDI Bluetooth MIDI function for standard MIDI devices	8
Connect two Air MIDIs	8
Connect Air MIDI with Bluetooth MIDI device	8
Connect Air MIDI with MacOS X	8
Connect Air MIDI with iOS device	8
Connect Air MIDI with Windows 10	9
Connect Air MIDI with Android device	9
SPECIFICATION	10
FAQ	11
The LED of Air MIDI's main adapter is not lit.	11
Can I connect the sub adapter of Air MIDI to the MIDI IN DIN connector alone when I only use MIDI IN?	11
Can Air MIDI connect wirelessly with other BLE MIDI devices?	11
The wireless connection distance is very short, or the latency is large, or the signal is intermittent.	11
CONTACT	11

IMPORTANT INFORMATION

OWNER'S MANUAL

Please read this manual completely before using this product. The pictures in the manual are for illustration purposes only. They may differ from the actual product.

● WARNING

Improper connection may cause damage to the device.

● COPYRIGHT

Copyright © 2020 Kurzweil Music Systems. All rights reserved. Kurzweil is a registered trademark of HDC-Young Chang Co., Ltd in Korea and/or other countries. All other trademarks or registered trademarks are the property of their respective owners.

● SAFETY INFORMATION

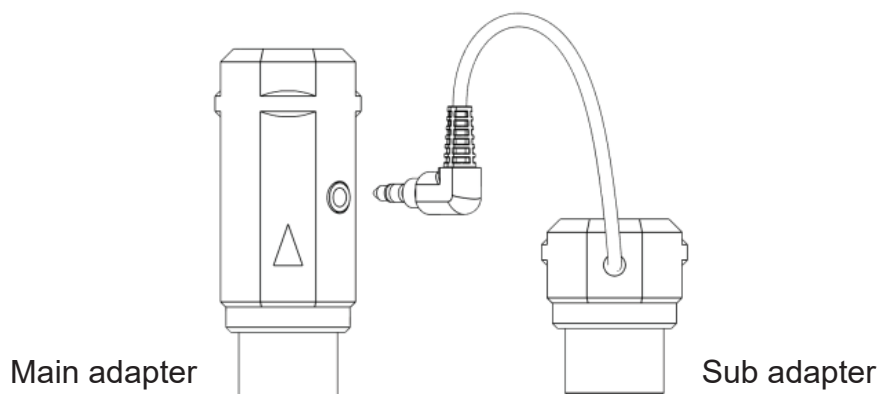
Always follow the basic precautions listed below to avoid the possibility of serious injury or even death from electrical shock, damages, fire or other hazards. These precautions include, but are not limited to, the following:

- Do not connect the instrument during a thunderstorm.
- Do not set up the cord or outlet in a humid place, unless the outlet is specially designed for humid places.
- If the instrument needs to be powered by AC, do not touch the bare part of the cord or the connector, when the power cord is connected to the AC outlet.
- Always follow the instructions carefully when setting up the instrument.
- Do not expose the instrument to rain or moisture, to avoid fire and/or electrical shock.
- Keep the instrument away from electrical interface sources, such as fluorescent light and electrical motors.
- Keep the instrument away from dust, heat and vibration.
- Do not expose the instrument to sunlight.
- Do not place heavy objects on the instrument; do not place containers with liquid on the instrument.
- Do not touch the connectors with wet hands

CONNECTION

Please note: The button on the main adapter is a reserved function, not a power switch. Do not press it during normal use, so as to prevent the device from being switched to the test mode and as a result unable to be used normally.

Air MIDI adds wireless Bluetooth MIDI transmission and reception functions to music equipment the MIDI OUT DIN connector. This product consists of two parts: one is the main adapter, which is used to obtain power from MIDI OUT DIN connector and send or receive MIDI messages wirelessly. The other is a sub adapter, which is used to transmit MIDI messages to the MIDI IN DIN connector of the MIDI device.



The Air MIDI main adapter can be used with MIDI DIN connectors of MIDI devices that apply to the MIDI standard, such as: synthesizers, MIDI controllers, MIDI interfaces, keytars, electric wind instruments, v-accordions, electronic drums, electric pianos, electronic portable keyboards, audio interfaces, digital mixers, etc. At the same time, Air MIDI can also connect devices and computers with a built-in BLE MIDI feature, such as: Bluetooth MIDI controllers, iPhones, iPads, Mac computers, Android mobile phones, PC computers, etc.

Air MIDI main adapter comes with LED indicators. When power is on, the LED will be lit. When the LED is blue, it means that the device is in normal working condition. When the LED light is green, it means that the device is waiting for a firmware upgrade.

● Add Air MIDI Bluetooth MIDI function for standard MIDI devices

1. Plug the 2.5mm mini jack connector of Air MIDI's sub adapter into the mini jack socket of the main adapter.
2. Plug Air MIDI's main adapter into the MIDI OUT DIN connector of the MIDI device, and plug the sub adapter into the MIDI IN DIN connector.

Note: If the MIDI device only has a MIDI OUT DIN connector, there is no need to connect the mini jack connector and sub adapter.

● Connect two Air MIDIs

1. Turn the power on for both MIDI devices equipped with Air MIDI.
2. The two Air MIDI units will pair automatically, and the blue LED will change from slow flashing to constant light (when there is MIDI data sending, the LED light will flash dynamically).

● Connect Air MIDI with Bluetooth MIDI device

1. Turn on both the MIDI devices plugged with Air MIDI as well as the Bluetooth MIDI devices.
2. Air MIDI will automatically pair with the Bluetooth MIDI device, and the blue LED will change from slow flashing to constant light

(when there is MIDI data sending, the LED light will flash dynamically)

Note: If Air MIDI cannot automatically pair with another Bluetooth MIDI device, it may be caused by a compatibility issue. In that case please contact Kurzweil for technical support.

CONNECTION

● Connect Air MIDI with MacOS X

1. Turn on the power of the MIDI device with the Air MIDI plugged in, and confirm that the blue LED flashes slowly.
2. Click the [Apple icon] on the upper left corner of the screen, click the [System Preferences] menu, click the [Bluetooth icon], and click [Turn Bluetooth On], then exit the Bluetooth settings window.
3. Click the [Go] menu at the top of the screen, click [Utilities], and click the [Audio MIDI Setup]

Note: If you don't see the MIDI Studio window, click the [Window] menu at the top of the screen and click [Show MIDI Studio].

4. Click the [Bluetooth icon] at the upper right of the MIDI studio window, find the Air MIDI that appears under the device name list, and click [Connect]. The Air MIDI's Bluetooth icon will appear in the MIDI studio window, indicating successful connection.
You can then exit all setting windows.

● Connect Air MIDI with an iOS device

1. Turn on the power of the MIDI device that has the Air MIDI adapter connected to it, and confirm that the blue LED flashes slowly.
2. Click the [Settings] icon to open the settings page. Click [Bluetooth] to enter the Bluetooth setting page and slide the Bluetooth switch to turn on the Bluetooth functionality.
3. Go to the Apple AppStore to search for and download the free application [midimitr].
4. Open the midimitr App. Click the [Device] menu at the bottom right of the screen. Find the Air MIDI selection that appears under the list. Click [Not Connected] then click [Pair] on the Bluetooth pairing request pop-up window. In the list, the status of Air MIDI will be updated to [Connected], indicating that the connection is successful.
5. Open the desired music app that can accept external MIDI input and select Air MIDI as the MIDI input device on the settings page. You can then start using it.

● Connect Air MIDI with Windows 10

First, the chosen music software must integrate Microsoft's latest UWP API to use the Bluetooth class compliant MIDI driver that comes with Windows 10. Most music software has not yet integrated this API for various reasons. As far as we know, only Cakewalk by Bandlab currently integrates this API, so it can directly connect to Air MIDI or other standard Bluetooth MIDI devices.

Of course, there are some alternative solutions for MIDI transmission between the Windows 10 Bluetooth MIDI driver and music software through virtual MIDI port software applications, such as LoopMIDI and MIDIberry. This approach adds a small amount of latency and some limitations, but it can be used to meet basic connection requirements.

● Connect Air MIDI with Android device

As in the case with Windows, the chosen Android Music App must integrate the universal Bluetooth MIDI driver of Android's OS to communicate with the Bluetooth MIDI device directly. Most music apps haven't integrated this functionality for various reasons. Therefore, you need to use specific apps dedicated to connecting Bluetooth MIDI devices as a bridge.

1. Turn on the power of the MIDI device with the Air MIDI plugged in, and confirm that the blue LED flashes slowly.
2. Turn on the Bluetooth function of the Android device.
3. Go to the PlayStore to search for and download the free application [MIDI BLE Connect].
4. Open the MIDI BLE Connect App. Click [Bluetooth Scan] and find the Air MIDI selection that appears in the list. Click [Air MIDI] and it will show that the connection was created successfully. At the same time, the Android system will send a Bluetooth pairing request notification. Please click on the notification and accept the pairing request.
5. Open the desired music app that can accept external MIDI input and select Air MIDI as the MIDI input device on the settings page. You can then start using it.

SPECIFICATION

Technology	Bluetooth 5, MIDI over Bluetooth Low Energy-Compliant
Connectors	MIDI IN/OUT (5pin-DIN)
Compatible devices	MIDI devices with 5-pin DIN OUT, Air MIDI, Bluetooth MIDI controllers. Mac, iPhone/iPad/iPod Touch with Bluetooth 4.0 or later
Compatible OS	iOS 8 or later, OSX Yosemite or later
Latency	As low as 3 ms (test with two Air MIDIs on BLE 5)
Range	20 meters without obstruction
Firmware upgrade	By air using WIDI App (iOS/Android)
Power supply	5V/3.3V compatibility via MIDI OUT
Power Consumption	37 mW
Size Main	21 mm (W) x 21 mm (H) x 49 mm (D)
Sub	18 mm (W) x 18 mm (H) x 24 mm (D)
Weight	12g, sub: 11g

Specifications are subject to change without notice

● **The LED of Air MIDI's main adapter is not lit.**

- Is the main adapter connected to the MIDI OUT jack of the MIDI device?
- Has the MIDI device been turned on?
- Does the MIDI OUT DIN connector of MIDI device supply power? You can ask the manufacturer of the MIDI device for relevant information.

● **Can I connect the Air MIDI sub adapter to the MIDI IN DIN connector by itself if I am only using MIDI IN?**

- The sub adapter cannot work as standalone and must be connected with the mini jack of the main adapter.

● **Can Air MIDI connect wirelessly with other BLE MIDI devices?**

- If the BLE MIDI device complies with the standard BLE MIDI specification, it can be connected automatically.

● **The wireless connection distance is very short, or the latency is large, or the signal is intermittent.**

- Air MIDI uses the Bluetooth standard for wireless transmission. When the signal is significantly interfered with or obstructed, the transmission distance and response time will be affected by objects in the environment, such as trees, reinforced concrete walls, or environments with more electromagnetic waves.

CONTACT

Website: www.kurzweil.com

www.ycpiano.co.kr
www.kurzweil.com
Facebook [Http://www.facebook.com/kurzweilmusicsystems](http://www.facebook.com/kurzweilmusicsystems)

KURZWEIL®

HDC YOUNG CHANG

196, Bongsu-daero, Seo-gu,
Incheon, Korea