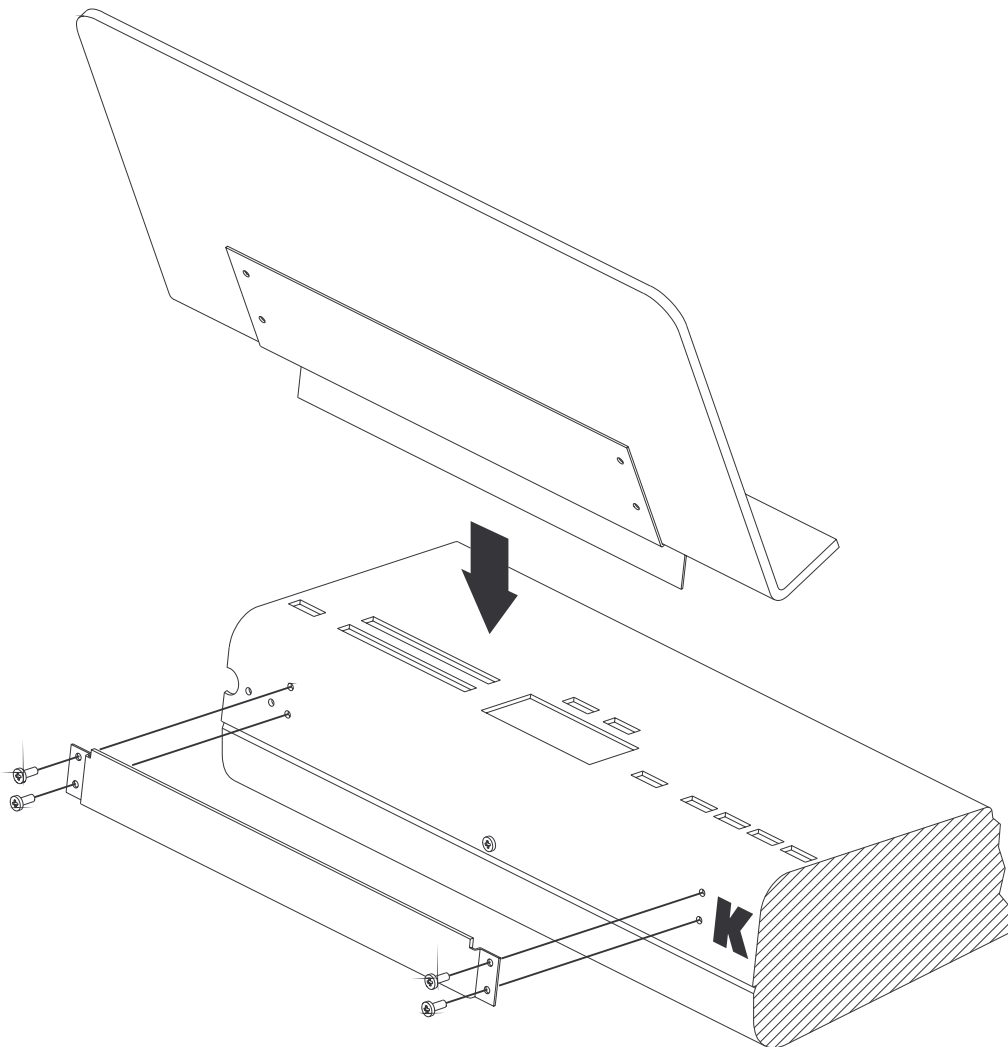


## Installing the PC2 or PC2X Music Rack

Installing the PC2's optional music rack requires only a Phillips screwdriver. To install the music rack, first remove the four screws on the back panel of the PC2, as shown in the illustration below. Use these screws to attach the music rack bracket, making sure that the rounded edge of this bracket is towards the top. When you have installed this bracket, slide the music rack in from the top, as shown in the illustration.



---

# Caring For Your PC2 Music Rack

## Music Rack Helpful Hints

### Acrylic

The acrylic material used in the construction of your music rack is a beautiful, lustrous material that is outstanding in durability and break resistance. Matching the excellent clarity of plate glass, this acrylic is the product of a carefully-controlled manufacturing process that ensures the highest level of quality control. With proper care, your music rack will retain its attractive appearance for a very long time. This care should include precaution against scratching or contact with objects of high temperature that might mar the surface.

### Washing

Wash your music rack with dish-washing detergent and plenty of lukewarm water. Use a clean soft cloth, applying only light pressure. Rinse with clear water, and dry by blotting with a damp cloth or chamois.

Remove grease, oil, or tar with a good grade of hexane, aliphatic naphtha or kerosene. These solvents are available at paint and hardware stores, and should be used in accordance with the recommendations stated by the manufacturers of the solvents.

We recommend washing the music rack after cleaning it with a solvent, to remove any solvent residue.

### Do Not Use

Window cleaning sprays, kitchen scouring compounds, or solvents such as acetone, gasoline, benzene, carbon tetrachloride, or lacquer thinner.

### Dusting

Dust with a soft, damp cloth or chamois. Dry or gritty cloths may cause surface scratches.

### Polishing

Protect your music rack and maintain its surface gloss by occasional waxing with a good auto paste wax. Apply a thin even coat with a soft clean cloth, and polish lightly with cotton flannel. Wipe with a damp cloth to help eliminate electrostatic charges, which can attract dust particles.

### Removing Scratches

Remove fine scratches by hand polishing. Use a paste wax that does not contain petroleum distillates. Apply the wax to a soft cloth and rub. When the scratches have disappeared, remove all wax residue, then polish the rack. For deep scratches, first sand lightly with 400-grit "wet or dry" sandpaper, using plenty of water and rinsing the sandpaper frequently. Follow by buffing with a clean muslin wheel and a good polishing compound. For even more gloss, buff again with a clean-up wheel made of soft cotton or flannel, using no polishing compound. An electric drill with a buffing wheel also works well.

Contact your local acrylic distributor for information on scratch-removal kits.

### Anti-static Products

There are numerous anti-static cleaners for plastics. They reduce static electricity and minimize dust. Just wipe the music rack with a soft damp cloth or chamois to keep it dust-free between anti-static applications.

---